

FEATURES

- Compact stoppers cylinder designed for stopping loads in conveyance applications
- Excellent resistance to radial loads

GENERAL

Detection
 Fluid
 Operating pressure
 Ambient temperature
 Optimal max. speed
 Standard

Equipped for magnetic position detectors
 Air or neutral gas, filtered, lubricated or not
 1,5 to max. 10 bar
 -20°C to +70°C
 0,5 m/s
ISO 21287 compatible
 The diameters and distances between the centres of the mounting holes ensure that standard fittings can be attached to the rear end.
 Ø20: **ISO 21287**
 Ø32-80: **ISO 15552-AFNOR NF ISO 15552-DIN ISO 15552**



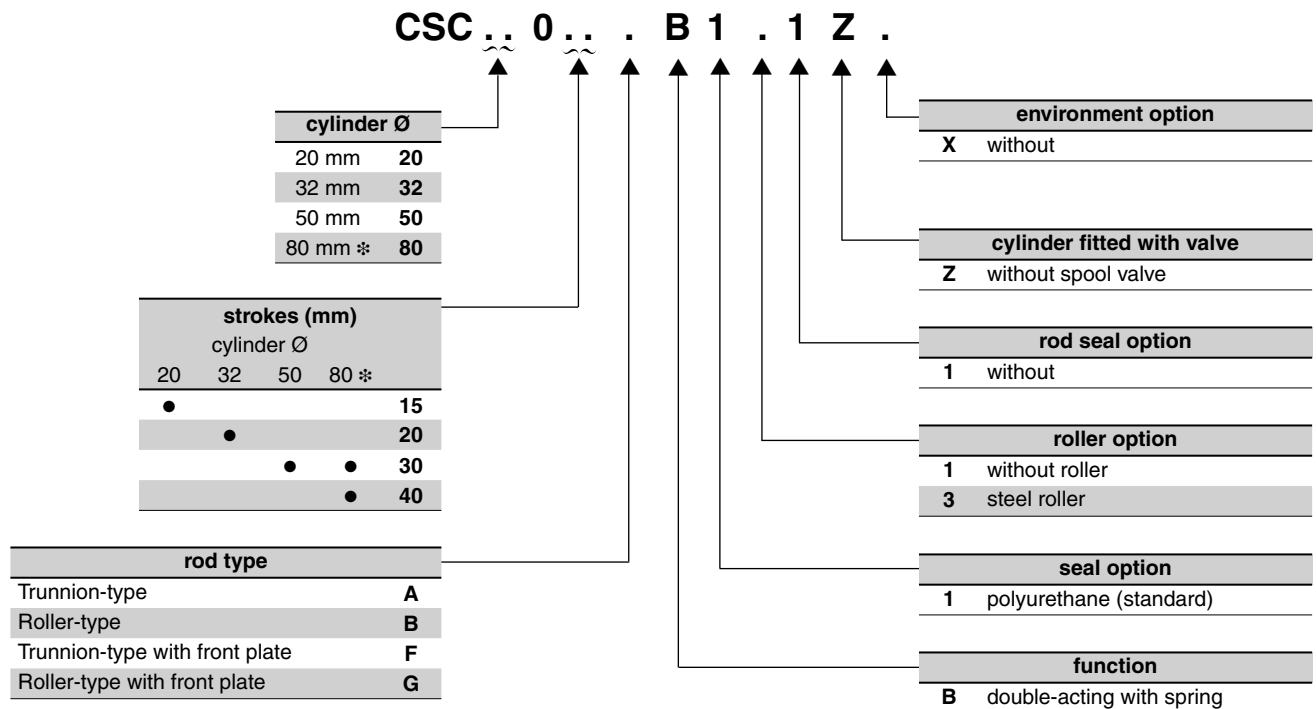
B

CONSTRUCTION

Barrel: Non-magnetic anodised aluminium alloy
 Rod: Stainless steel AISI 303
 Rod seal: PUR (polyurethane)
 Rod end: Trunnion-type or roller-type
 Piston: POM (polyacetal) or light alloy
 Piston seal: NBR (nitrile)
 Front and rear ends: Anodised aluminium alloy
 Bearing: Metal, self-lubricating
 Roller: Steel

SPECIFICATIONS

■ **CYLINDER**




* Available only for roller-type version

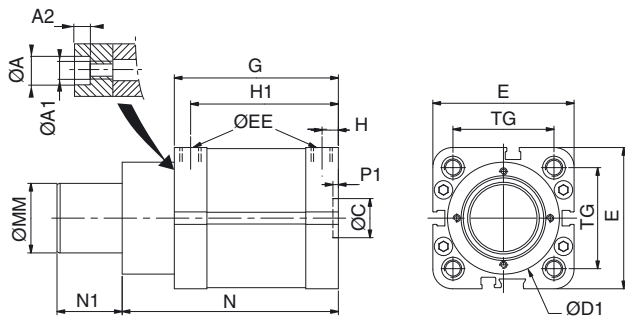
Ordering example:

Cylinder dia. 32 mm = **32** ; stroke 20 mm = **020** ; profiled, trunnion-type cylinder = **A** ; cylinder without roller = **1** ; without option = **X**
 Ordering catalogue number: **CSC32020AB111ZX**

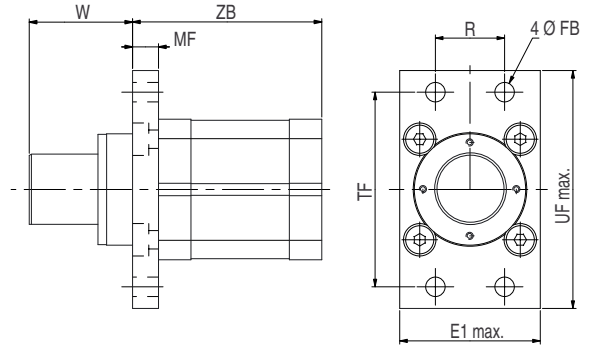
■ **DETECTORS** : The magnetic position detectors must be ordered separately :
 - "T" model (see page P291), reed switch or magneto-resistive type

DIMENSIONS (mm), WEIGHT (kg) 

Cylinder with trunnion-type rod end (rod extended)



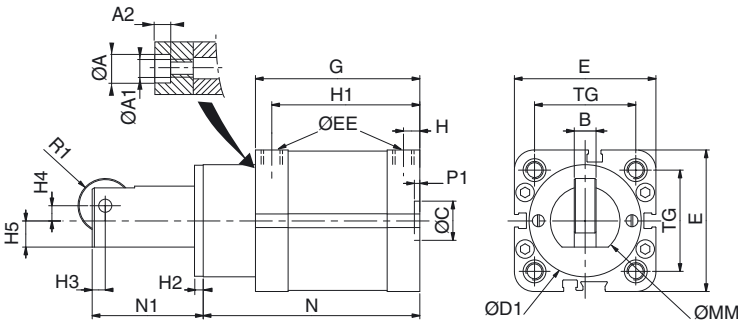
Cylinder with front plate (Ø32-50)



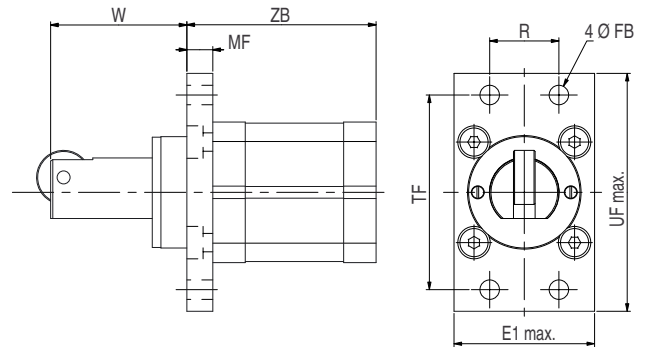
Ø	stroke	ØA	ØA1	A2	ØC	ØD1	E	E1	ØEE	FB	G	H	H1	MF	ØMM	N	N1	P1
20	15	7,5	M5	4,2	12	26	37	-	M5x0,8	-	53	10	46,3	-	12	64,5	14,9	2,85
32	20	9,2	M6	3,7	14	35	47	50	G1/8	7	64,5	7,75	57	10	20	80,5	20	2,5
50	30	10,5	M8	4,2	18	51,5	65	65	G1/8	9	75,5	7,5	68	12	32	99,5	30	2,5

Ø	stroke	R	TF	TG	UF	W	ZB	cylinder weight	plate weight
20	15	-	-	22	-	-	-	0,185	-
32	20	32	64	32,5	86	26	74,5	0,400	0,180
50	30	45	90	46,5	110	42	87,5	1,040	0,450

Cylinder with roller-type rod end (rod extended)



Cylinder with front plate (Ø32-50-80)

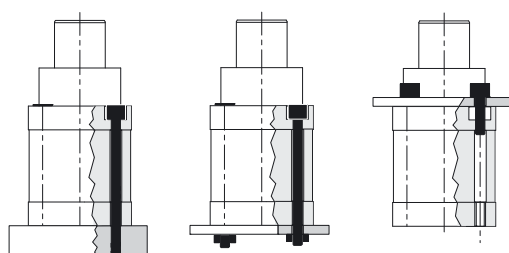


Ø	stroke	ØA	ØA1	A2	B	ØC	ØD1	E	E1	ØEE	FB	G	H	H1	H2	H3	H4	H5	MF	ØMM	N	N1	P1
20	15	7,5	M5	4,2	4	12	26	37	-	M5	-	53	10	46,5	3	3	2	4,5	-	12	64,5	24	2,5
32	20	9,2	M6	3,7	8	14	35	47	50	G1/8	7	64,5	7,5	57	4	6	3,5	7,5	10	20	80,5	38	2,5
50	30	10,5	M8	4,2	10	18	51,5	65	65	G1/8	9	75,5	7,5	68	4	6	7	12	12	32	99,5	51	2,5
80	30	15	M10	5,5	17,8	23	76	95	95	G1/8	12	126	8,5	117,5	4	10	11	18	16	50	141	63	3
80	40	15	M10	5,5	17,8	23	76	95	95	G1/8	12	136	8,5	127,5	4	10	11	18	16	50	151	73	3

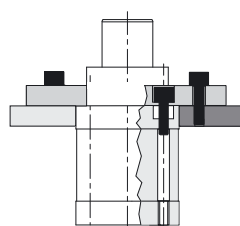
Ø	stroke	R	R1	TF	TG	UF	W	ZB	cylinder weight	plate weight
20	15	-	5	-	22	-	-	-	0,195	-
32	20	32	9	64	32,5	86	44	74,5	0,440	-
50	30	45	12,5	90	46,5	110	63	87,5	1,160	0,180
80	30	63	18	126	72	150	62	142	3,850	0,450
80	40	63	18	126	72	150	62	142	4,040	1,150

DIRECT MOUNTING OPTIONS

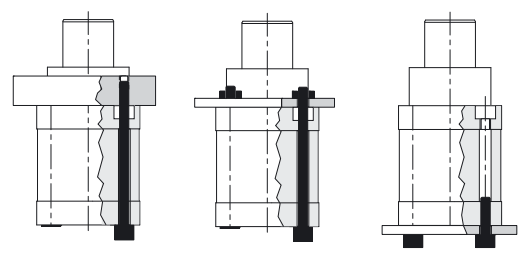
Front mounting



Flange mounting



Rear mounting

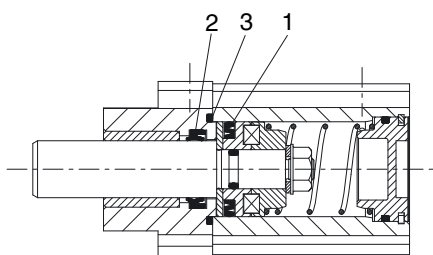


Consultez notre documentation sur : www.asconumatics.eu

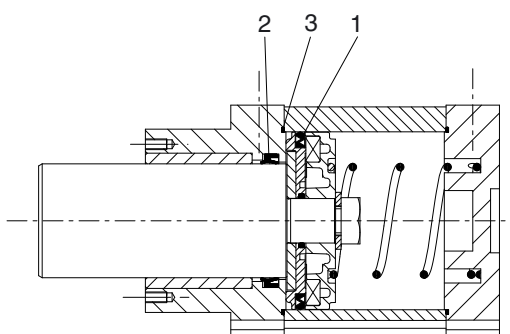
B



Ø 20 mm



Ø 32-50-80 mm



cyliner type	Ø	catalogue number (seals: 1 to 3)
	20	CSC9720
trunnion-type rod end or roller-type rod end	32	CSC9732
	50	CSC9750
	80	CSC9780

NOTE: For best results, use grease supplied in each kit.
Supplementary tube (11 cm³) available on request,
catalogue number: **97802100**

