

## FEATURES

- Size 30 CNOMO pilot adapted for the piloting of actuators or spool valves
- Version with M12 connection, integrated Led and protection
- Manual operator as standard

## GENERAL

<b>Fluid</b>	Air or neutral gaz, filtered, lubricated or not
<b>Operating pressure</b>	0 to 10 bar
<b>Maximum allowable pressure</b>	16 bar
<b>Fluid temperature</b>	-10°C to +60°C
<b>Ambient temperature</b>	-10°C to +60°C
<b>Flow (Qv at 6 bar)</b>	See "specifications"
<b>Response time</b>	5 ms
<b>Base</b>	ISO 15218 (CNOMO 06.05.80/NF E 49066, size 30)

## CONSTRUCTION

<b>Body</b>	PA + FV (glass filled polyamide 6/6)
<b>Pad mounting body</b>	Ports 1 and 2 on subbase, port 3 tapped M5
<b>Exhaust</b>	M5 female
<b>Seals</b>	NBR (nitrile)
<b>Electrical equipment</b>	Conforming to NF C79300 standard



## ELECTRICAL CHARACTERISTICS

coil type	voltages	consumption		insulation class	protection degree	electrical connection	
		inrush	hold				
size 25	with pins	~ 24V-48V-115V-230V/50Hz	9VA	4VA (3W)	F	IP 65	spade plug size 30 connector ISO4400/ EN175301-803, form A, rotatable by 90°
		= 24V-48V	3W				
	M12 with Led and protection	= 24V	3W		F	IP 65	M12 connection, 3 pins CNOMO E03.62.520.N

## SPECIFICATIONS

orifice size (mm)	flow				allowable differential pressure (bar)		(M)	catalogue number		
	at 6 bar l/min (ANR)		coefficient Kv		min.	max.		with DIN connector	without DIN connector	with M12 connection
	1 → 2	2 → 3	1 → 2	2 → 3						
1,6	70	84	1	1,2	0	10	×	19000005	19000013	19000043
							●	19000006	19000014	19000044
							▼	19000017	19000018	19000046
							■	19000008	19000016	19000045

(M) Type of manual operator : × : without ● : maintained ▼ : impulse ■ : button

**SUBBASES** : see overleaf

## OPTIONS

### SOLENOID VALVE WITH COIL FOR DIN CONNECTOR


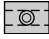
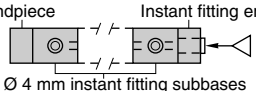
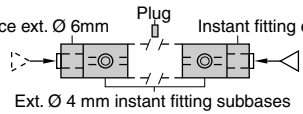


- Others voltages or 60 Hz frequency, on request
- For temperatures -25°C to +90°C, see solenoid valve S374 on catalogue Fluid Control V598
- Solenoid head EEx complying with European standards for explosive atmospheres "m" (PV), zones 1-21
- Solenoid head for dusty explosive atmospheres (DU), zone 22
- Connector with cable outlet, 2m long: **88122612**
- Connector with protection by transil (see section "Coils and Accessories")
- Solenoid valve with built-in visual indicator and protection:

<b>catalogue number</b> solenoid valve without connector (see above)	+	<b>catalogue number</b> connector with built-in visual indicator and VDR protection			
		24V (~/=)	48V (~/=)	115V (~/=)	230V (~/=)
		<b>88122603</b>	<b>88122604</b>	<b>88122605</b>	<b>88122608</b>

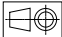
### SOLENOID VALVE WITH M12 CONNECTION COIL

- Straight M12 connector with 5 female contacts, Ø6 to 8mm cable entry, catalogue number: **88100256**
- Straight M12 connector with 5 female contacts, cable length 5m, catalogue number: **88130212**

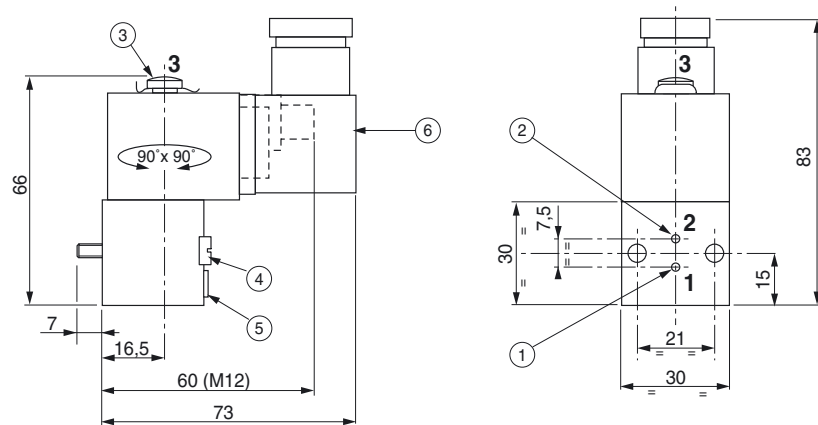
**SUBBASES**

connection	description	composition	catalogue number
with instant fittings (6/6 polyamide subbases)	1 single subbase		<b>35300069</b>
	1 joinable subbase		<b>35300070</b>
	set of 2 joinable end subbases, right-hand pressure intake, ext. Ø 6 mm instant fitting	 Plugged endpiece Instant fitting endpiece ext. Ø 6mm Ext. Ø 4 mm instant fitting subbases	<b>35300071</b>
	set of 2 joinable end subbases, right-hand and/or left-hand pressure intake, ext. Ø 6 mm instant fittings	 Instant fitting endpiece ext. Ø 6mm Plug Instant fitting endpiece Ø 6mm Ext. Ø 4 mm instant fitting subbases	<b>35300072 (1)</b>
G 1/8 tapped (Zinc diecast subbases)	1 laterally-connected single subbase		<b>35300047</b>
	1 laterally-connected joinable subbase		<b>35300048</b>

(1) Equipment can be used for 2 different pressure intakes. These subbases can be directly mounted on EN 50022 - AFNOR NF C63015 rail using 2 or more mounting clips (clips sold in packets of 10, cat no. 33400036).

**DIMENSIONS (mm), WEIGHTS (kg)** 

**PAD MOUNTING SOLENOID VALVE ALONE**

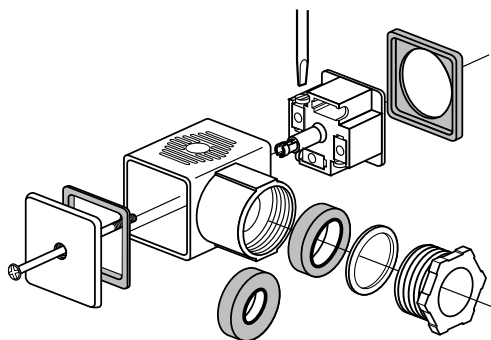


weight	
with DIN coil	with M12 connection
0,180	0,170

- ① Port 1
- ② Port 2
- ③ Port 3 with exhaust protector  
Connectable port Ø M5 depth 5,5
- ④ Fixing : two CM4x33,5 screws
- ⑤ Manual operator
- ⑥ Connector rotatable by 90°

**CONNECTION TO SIZE 30 CONNECTOR**

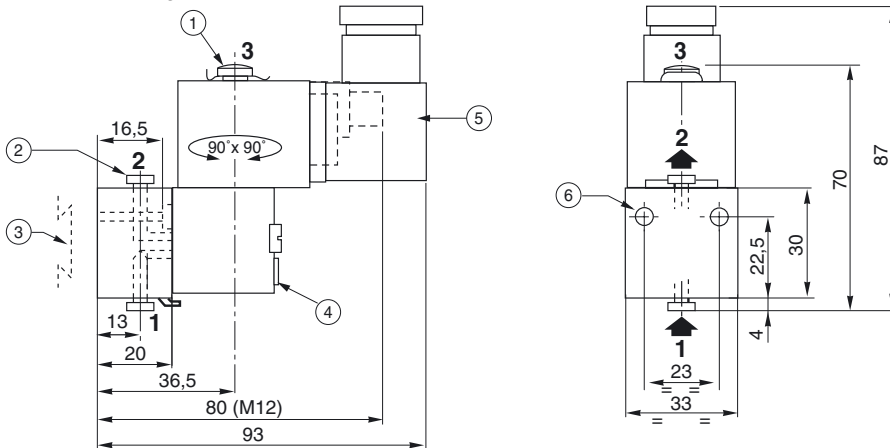
Easier and faster electrical connection.  
Connector delivered with 2 sealing rings for cable Ø 8 - 10 mm or cable Ø 6 - 8 mm.  
Removable upper lid for checking the voltage **without interrupting the operation** of the solenoid valve.



**DIMENSIONS (mm), WEIGHTS (kg)**

**PAD MOUNTING SOLENOID VALVE ON SINGLE INSTANT-FITTING SUBBASE**

Subbase: catalogue number **35300069**

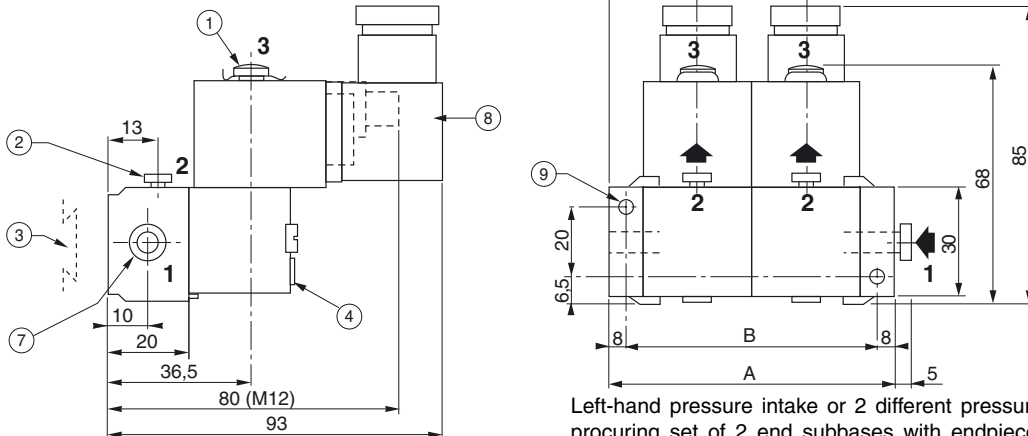


weight	
with DIN coil	with M12 connection
0,195	0,185

**SOLENOID VALVE ON JOINABLE INSTANT-FITTING SUBBASE**

Subbase: catalogue number **35300070**

Subbases with endpieces: catalogue number **35300071**



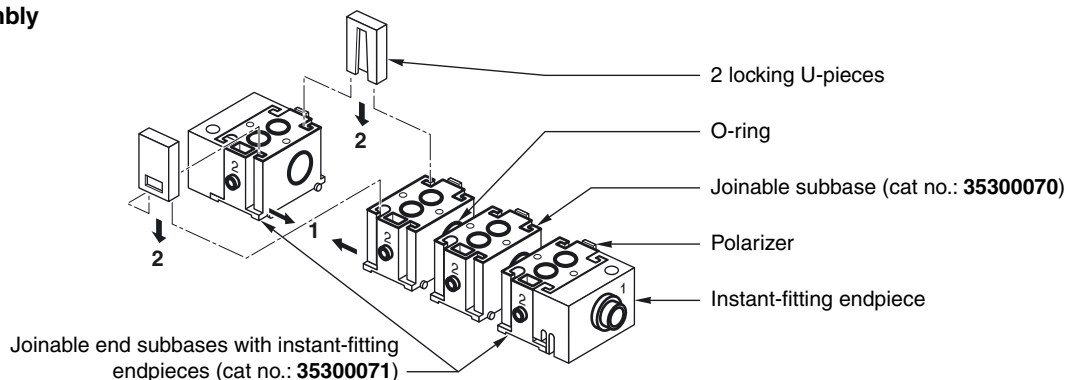
Left-hand pressure intake or 2 different pressure intakes by procuring set of 2 end subbases with endpieces catalogue number: **35300072**

When mounted on DIN rail, it is recommended to use 1 securing clip on the end subbases as well as on the central subbase.

- ① Port 3
- ② Instant fitting connection for 4 mm OD tube
- ③ Adaptable clips
- ④ Manual operator
- ⑤ Connector rotatable by 90°
- ⑥ 2 securing holes Ø 3,5
- ⑦ Instant fitting connection for Ø 6 mm OD tube
- ⑧ Connector rotatable by 180°
- ⑨ 2 securing holes Ø 4.5

number of subbases	A	B	weight with subbases	
			DIN coil	M12 connection
2	88	72	0,415	0,395
3	119	103	0,610	0,580
4	150	134	0,805	0,765
5	181	165	1,000	0,950
6	212	196	1,195	1,135
7	243	227	1,390	1,320
8	274	258	1,585	1,505

**Assembly**



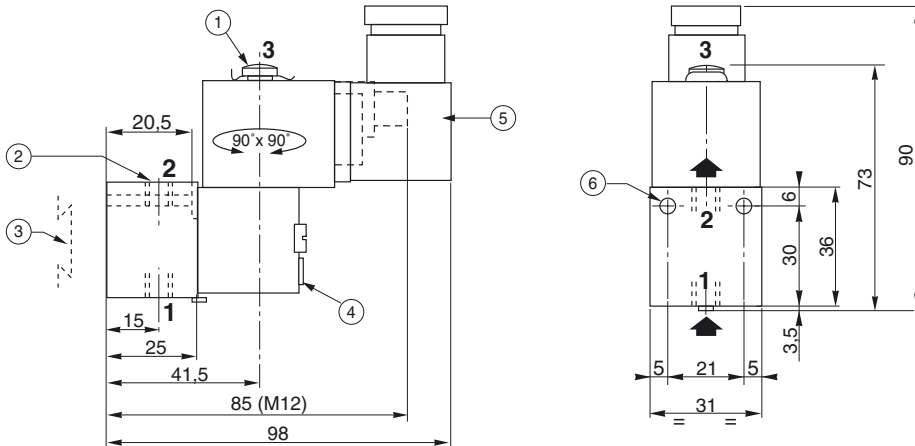
00421GB-2006/R01 Availability, design and specifications are subject to change without notice. All rights reserved.

00421GB-2006/R01

## DIMENSIONS (mm), WEIGHTS (kg)

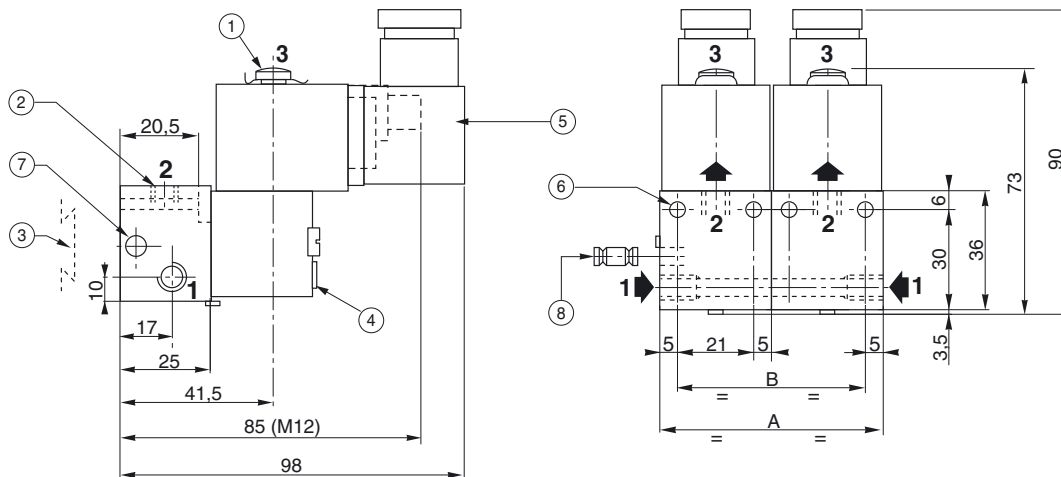
### SOLENOID VALVE MOUNTED ON SINGLE SUBBASE

Subbase: catalogue number **35300047**



### SOLENOID VALVE MOUNTED ON JOINABLE SUBBASE

Subbase: catalogue number **35300048**

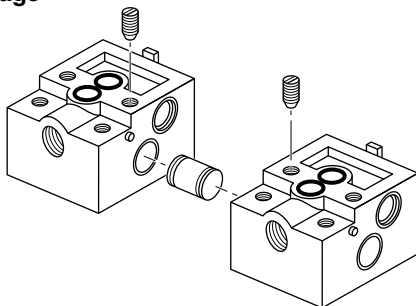


- ① Port 3 : connection Ø M5, depth 5,5
- ② Port 2
- ③ Adaptable clips
- ④ Manual operator
- ⑤ Connector rotatable by 90°
- ⑥ 2 securing holes Ø 4.5
- ⑦ Subbases assembly port
- ⑧ Adapter

number of subbases	A	B	weight with subbases	
			DIN coil	M12 connection
2	62	52	0,490	0,470
3	93	83	0,735	0,705
4	124	114	0,980	0,940
5	155	145	1,225	1,175
6	186	176	1,470	1,410
7	217	207	1,715	1,645
8	248	238	1,960	1,880

Subbases delivered with seals, set screws and joining unit for complete assembly.

### Montage



Joinable subbases assembled with adapter locked by sunk set screws  
When mounted on DIN rail it is recommended to use a securing clip on each end subbase as well as on the central subbase.