

**JOUCOMATIC**

**SPOOL VALVES**  
**air operated**  
 ISO 15407-1 - VDMA 24563  
 subbase-mounted body



**2x3/2-5/2-5/3**

Series

**539**

Type

ISO size 01 (26 mm)

**GENERAL**

**Fluid** Air or neutral gaz, filtered, lubricated or not  
**Operating pressure** -0,950 to 10 bar  
**Pilot pressure** See "specifications"  
**Ambient temperature** -10 °C to +60 °C  
**Flow (Qv at 6 bar)** 1150 l/min (ANR)  
 - conforming to ISO 6358 C = 5,8 x 10<sup>-8</sup> m<sup>3</sup>/s.Pa (sonic conductance)  
 b = 0,28 (absolute static pressure)  
**Subbase** Single or joinable subbases

**CONSTRUCTION**

**Body** Injected aluminium  
**Top cover, end covers** PAA (polyarylamide)  
**Internal parts** POM (polyacetal) and aluminium  
**Seals** NBR (nitrile)



**SPECIFICATIONS**

function	symbol	operators		pilot pressure (bar)		catalogue number
		pilot (14)	return (12)	min.	max.	
2x 3/2	NC-NC	air	spring	2,5	10	53902160
	NO-NO	air	spring	2,5	10	53902159
	NC-NO	air	spring	2,5	10	53902162
5/2		air	spring	2,5	10	53902158
		air	differential	2	10	53902001
		air	air	1	10	53902002
5/3		air operated pressure held <b>W1</b>		2,5	10	53902003
		air operated pressure applied <b>W2</b>		2,5	10	53902004
		air operated pressure release <b>W3</b>		2,5	10	53902005

**SUBBASES**

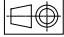
subbase	size	raccordement	description	port connection			catalogue number
				1-3-5	2-4	12-14	
single subbase	ISO 01	side	subbase	G 1/4	G 1/4	M5	35500526
joinable subbases		see P566-6					

00395GB-2011/R01 Availability, design and specifications are subject to change without notice. All rights reserved.

**OPTIONS**

- Material for use in potentially **explosive atmospheres** caused by gases or dusts (ATEX directive 94/9/EC)

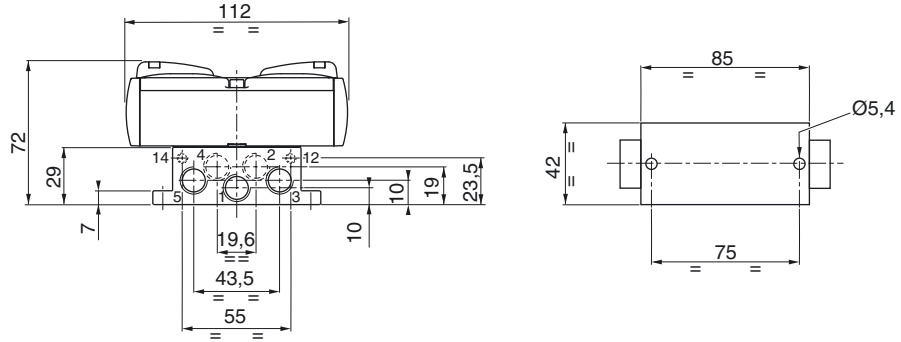
zones	classification $\text{Ex}$	ATEX option cat. n°
1-21	II2GD c - Ta 50°C T85°C (T6)	<b>612081</b>

**DIMENSIONS (mm), WEIGHT (kg)** 

**SPOOL VALVES ON SINGLE SUBBASE**

weight
spool valves + subbase
0,358

n° ports	Ø ports
1-3-5	G 1/4
2-4	G 1/4
12-14	M5



### FEATURES

- Reliability: steel spool & sleeve technology with long service life
- Robust valve design, particularly recommended for use in high-temperature or dirty environments

### GENERAL

<b>Fluids</b>	Air or neutral gas, filtered, lubricated or not
<b>Operating pressure</b>	Vacuum to 16 bar
<b>Pilot pressure</b>	1,8 to 10 bar
<b>Ambient temperature</b>	-20 °C to +80 °C
<b>Flow (Qv at 6 bar)</b>	800 l/min
<b>Subbase</b>	Single or joinable subbase

### CONSTRUCTION

<b>Body</b>	Aluminium, anodised, painted grey
<b>Internal parts</b>	Stainless steel, POM (polyacetal), aluminium
<b>Seals</b>	NBR (nitrile)



### SPECIFICATIONS


function	symbol	operators		pilot pressure (bar)		catalogue number
		pilot (14)	return (12)	min.	max.	
5/2		air	differential	1,8	10	262PA400395000
		air	air			262PP466395000
5/3		air operated pressure held <b>W1</b>				262PP600395000
		air operated pressure applied <b>W2</b>				262PP700395000
		air operated pressure released <b>W3</b>				262PP500395000

### SUBBASES

subbase	size	type of port	description	port connection			catalogue number
				1-3-5	2-4	12-14	
single subbase	ISO 01	side	subbase	G 1/4	G 1/4	M5	35500526
joinable subbase		see P566-6					

00395GB-2011/R02  
Availability, design and specifications are subject to change without notice. All rights reserved.

D

DIMENSIONS (mm), WEIGHT (kg) 

VALVE ON SINGLE SUBBASE

<b>weight</b>
valve + subbase
0,358

port no.	Ø port
1-3-5	G 1/4
2-4	G 1/4
12-14	M5

