

**OVERALL SPECIFICATION**

**FLUID** : Compressed air or neutral gas  
**The compressed air used must be dry to prevent ice buildup**

**PORTS** : G3/4 to G1 1/2

**MAX. INLET PRESSURE** at 23°C : 17,5 bar  
at 50°C : 12 bar

**CONTROLLED PRESSURE** : 0,5-12 bar, 0,5-16 bar, (0,5-4 bar)

**HYSTERESIS** : 0,4 bar

**AMBIENT TEMPERATURE** : -10°C to +50°C

**MAX. FLOW** (P1=10 bar and P2=6,3bar) : G3/4 = 13200 l/mn - G1 = 19000 l/mn

**REGULATOR** : Self-relieving

**BOWL CAPACITY** : 520 cm<sup>3</sup>



**CONSTRUCTION**

Filtering capacity 30 µm or 5 µm  
Aluminium body  
Semi-automatic or automatic drain, pipable (manual on request)  
Regulating device with flat diaphragm  
Metal bowl with polypropylene level viewing window

**CHOICE OF EQUIPMENT**

port size	maximum flow (ANR) at 6,3 bar pressure setpoint and ΔP 1 bar/setpoint inlet pressure 8 bar		code							
			gauge dia.	manual drain (5)		semi-automatic drain		automatic drain		
				with pressure gauge	without pressure gauge	with pressure gauge	without pressure gauge	with pressure gauge	without pressure gauge	
	(l/min)	(dm <sup>3</sup> /s)								
<b>30 µm filtration - 0,5 - 16 bar (1) adjustment range</b>										
G 3/4	10100	169	50	34207173	34207169	34207165	34207161	34207181	34207177	
G 1	13500	226	50	34207174	34207170	34207166	34207162	34207182	34207178	
G 1 1/4 <sup>(4)</sup>	13500	226	50	34207175	34207171	34207167	34207163	34207183	34207179	
G 1 1/2 <sup>(4)</sup>	13500	226	50	34207176	34207172	34207168	34207164	34207184	34207180	
<b>5 µm filtration - 0,5 - 16 bar (1) adjustment range - (3)</b>										
G 3/4	9300	156	50	34207197	34207193	34207189	34207185	34207205	34207201	
G 1	13200	221	50	34207198	34207194	34207190	34207186	34207206	34207202	
<b>30 µm filtration - 0,5 - 12 bar (2) adjustment range</b>										
G 3/4	10100	169	50	34207101	34207097	34207093	34207089	34207109	34207105	
G 1	13500	226	50	34207102	34207098	34207094	34207090	34207110	34207106	
G 1 1/4 <sup>(4)</sup>	13500	226	50	34207103	34207099	34207095	34207091	34207111	34207107	
G 1 1/2 <sup>(4)</sup>	13500	226	50	34207104	34207100	34207096	34207092	34207112	34207108	
<b>5 µm filtration - 0,5 - 12 bar (2) adjustment range - (3)</b>										
G 3/4	9300	156	50	34207125	34207121	34207117	34207113	34207133	34207129	
G 1	13200	221	50	34207126	34207122	34207118	34207114	34207134	34207130	

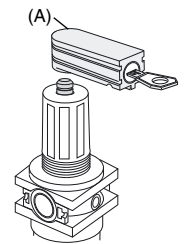
- (1) 0-16 bar pressure gauge
- (2) 0-12 bar pressure gauge
- (3) ΔP = 0,35 bar
- (4) The G 1 1/4 and G 1 1/2 versions are composed of a G 1 version + 1 set of 2 G 1 1/4 or G 1 1/2 flanges (1 connecting flange for each end of each component). When assembling several components together (FRL, isolation valve etc...), select G 1 components and provide for 1 set of G 1 1/4 or G 1 1/2 flanges (see pages 19 and 20 for flanges assembly)
- (5) Metal manual drain

**OPTIONS**

- Regulator designed to receive a key lock, code: **662597**
- Key locking device attached to adjustment knob, supplied installed on regulator, code: **662593**
- Adjustment range: 0,5 to 4 bar, (provide 50 mm dia. 0 - 4 bar pressure gauge) code: **662567**

**OTHER PRODUCT OPTIONS**

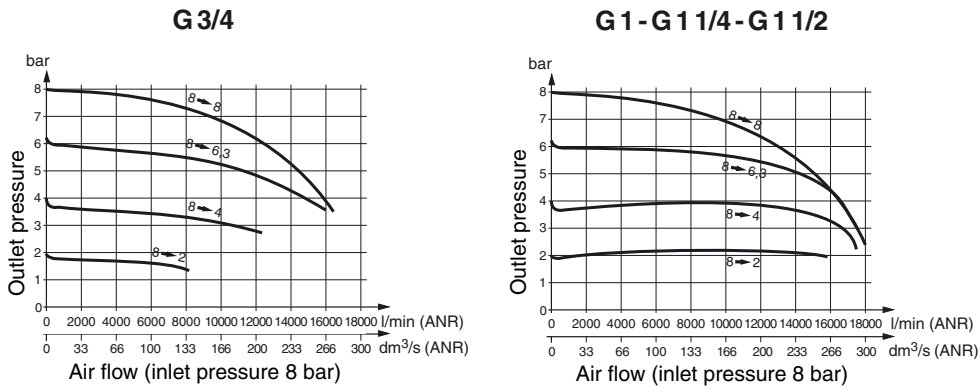
- Hexagon adapter for the installation of a subbase-mount pressure switch at front (see accessories)
- Subbase-mount (see P918-1) or electronic (see P918-4) pressure switch
- By-pass module (see page 14)
- Key locking device (A), supplied separately for regulator designed to receive this accessory, code: **34303050**



**ACCESSORIES** (see pages 19 - 20)

00286GB-2011/R02 Availability, design and specifications are subject to change without notice. All rights reserved.

## PRESSURE LOSS VERSUS AIR FLOW CURVES

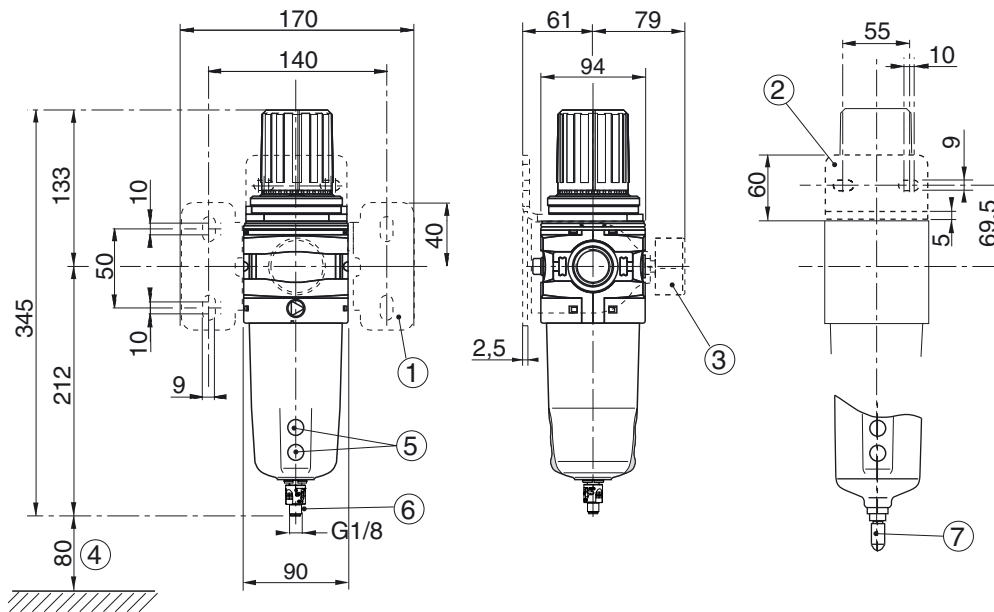


## DIMENSIONS AND WEIGHTS - G3/4 - G1 VERSIONS

Weight: 1,500 Kg

Mounting with side brackets

Mounting with top bracket



**G 1 1/4 - G 1 1/2 versions - see accessories**

- ① Mounting with 2 side brackets (accessory)
- ② Mounting with top bracket (accessory)
- ③ 50 mm dia. pressure gauge
- ④ Clearance required for bowl removal
- ⑤ Condensate level window
- ⑥ semi-automatic drain connectable G1/8
- ⑦ Automatic drain connectable to 6 mm ID flexible tubing

## INSTALLATION AND MAINTENANCE

Systems must be installed with the bowls in vertical position (at the bottom).

Air flow direction indicated by arrow (▶).

**Use an alkaline solution (soapy water) and not a solvent for cleaning the polycarbonate bowls and sight glasses.**