

FEATURES

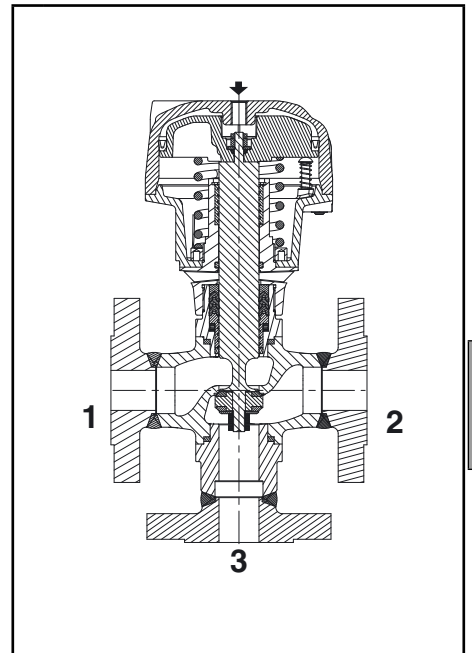
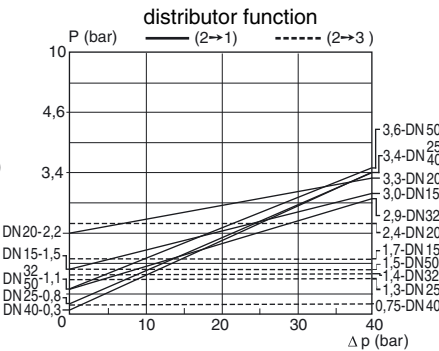
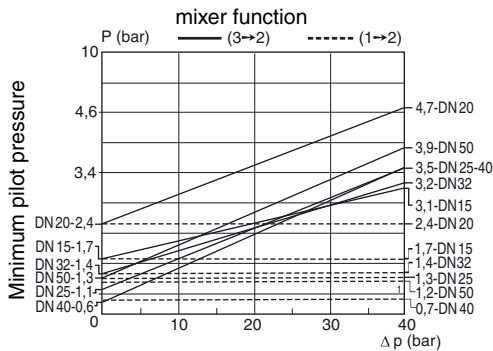
- Ruggedly built valve, particularly recommended for use with steam, superheated water, corrosive fluids
- High-performance, maintenance-free stuffing box, resistant to thermal shock
- Mixer function (two pressure inlets at 1 or 3, one outlet at 2) or distributor function (one pressure inlet at 2, two outlets at 1 and 3)
- Vacuum operation up to 10^{-2} mbar
- Allowable backpressure: up to 40 bar
- Optical position indicator as standard
- Autoclavable valve for use at high ambient temperatures (up to 180°C)
- The valves satisfy Pressure Equipment Directive 97/23/EC, category 1 (DN > 32) or article 3.3 (DN ≤ 32)

GENERAL

Differential pressure	0 to 40 bar [1 bar = 100 kPa]
Maximum allowable pressure	40 bar (within the specified limits, see diagram I)
Ambient temperature range	-25°C to +180°C
Maximum viscosity	5000 cSt (mm ² /s)
Pilot fluid	Air
Max. pilot pressure	10 bar
Min. pilot pressure	See below



fluids (*)	temperature range	disc seal (*)
DN 15-20-25: air and gas groups 1 & 2 DN 32-40-50: air and gas group 2 all DN: water, oil, liquids groups 1 & 2 and steam	- 10°C to + 250°C	bronze PTFE



SPECIFICATIONS

Connection	Flanges PN40, type 21 (ISO 7005 / EN 1092) ANSI Class 300 ANSI B16-5
Face-to-face dimensions	EN 558-1
Facing	Type B

MATERIALS IN CONTACT WITH FLUID

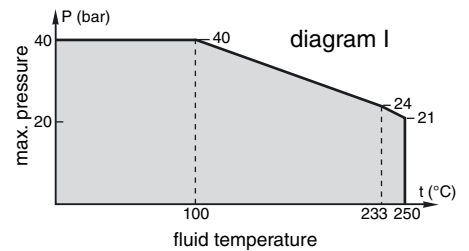
(*) Ensure that the compatibility of the fluids in contact with the materials is verified

Body and plug	Stainless steel
Stuffing box housing	Stainless steel
Stem, disc	Stainless steel
Stuffing box packing	PTFE chevrons
Disc seal	Bronze PTFE
Valve body seal	Graphite

OTHER MATERIALS

Operator	Aluminium, nickel plated
----------	--------------------------

SPECIFICATIONS



DN	orifice size (mm)	flow coefficient Kv								pilot pressure (bar)		operating pressure differential (bar)	operator diameter (mm)	catalogue number		
		mixer				distributor				min.	max.			DIN	ANSI 300	
		3→2 (m ³ /h)	3→2 (l/min)	1→2 (m ³ /h)	1→2 (l/min)	2→3 (m ³ /h)	2→3 (l/min)	2→1 (m ³ /h)	2→1 (l/min)							
U - Universal																
15	15	3,3	54	4,4	73	3,5	59	4,6	78	*	10	40	80	T398A001	T398A007	
20	20	8,0	133	7,4	123	8,1	136	7,7	129	*	10	40	100	T398A002	T398A008	
25	25	11,4	190	11,6	194	12,1	203	11,9	199	*	10	40	100	T398A003	T398A009	
32	32	18,9	316	16,6	278	17,9	299	16,6	278	*	10	40	150	T398A004	T398A010	
40	40	27	450	27	450	27	450	27	450	*	10	40	150	T398A005	T398A011	
50	50	51	850	51	850	51	850	51	850	*	10	40	200	T398A006	T398A012	

* Minimum pilot pressure varies with differential pressure. See piloting chart above.

OPTIONS AND ACCESSORIES

- Metal-to-metal sealing disc
- Signaling box, with mechanical or inductive contacts
- Low ambient temperatures - Temperature range: -50°C to +70°C
- ATEX 94/9/EC versions for potentially explosive atmospheres, categories 2 GD and 3 GD
- 2 switches, Ex d protection, mounted on valve with 2 Crouzet contacts type 83101-I-W1, for use in ambient temperatures from -20°C to +80°C: suffix **SD2** [Contact us for option with 1 Honeywell contact type 1HS1 (-55°C to +82°C) or 1 Crouzet contact (-20°C to +80°C).]
- Valve seat leakage class VI as defined by FCI 70-2, contact us
- Other pipe connections are available on request

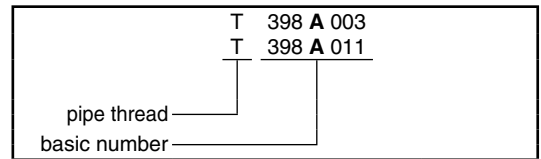
INSTALLATION

- The valves can be mounted in any position without affecting operation
- Compatible with ASTM 1, 2 and 3 oils
- Installation/maintenance instructions are included with each valve

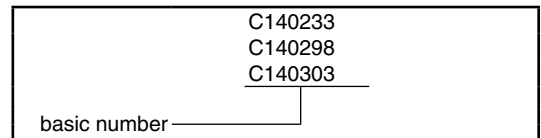
SPARE PARTS KITS

catalogue number	spare parts kit no.		
	piston seal	actuator spring	stem, disc, seals
T398A001/007	C140233	C140299	C140323
T398A002/008	C140234	C140301	C140324
T398A003/009	C140234	C140303	C140325
T398A004/010	C140235	C140305	C140326
T398A005/011	C140235	C140307	C140327
T398A006/012	C140298	C140309	C140328

ORDERING EXAMPLES:



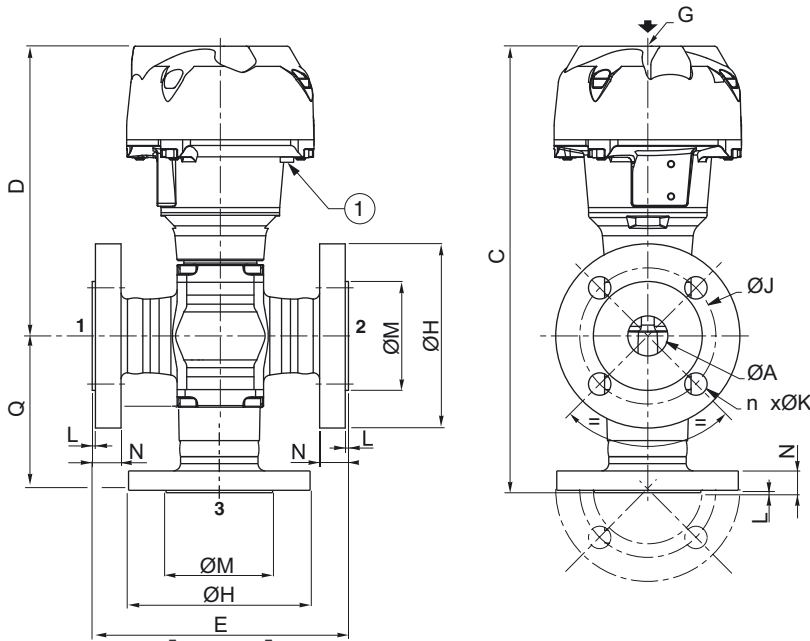
ORDERING EXAMPLES KITS:



DIMENSIONS (mm), WEIGHT (kg)



TYPE 01-02-03-04
Prefix "T"



① Optical position indicator

type	DN	operator diameter	weight	
			DIN	ANSI
01	15	80	4,1	3,9
	20	100	6,7	7,2
02	25	100	8,1	8,7
	32	150	15,1	15,2
03	40	150	20,1	20,9
	50	200	33,9	34,3

type	DN	operator diameter	ØA	ØB	C		D	E		G	ØH		ØJ		n x ØK		L		ØM		N		ØP	Q		
					DIN	ANSI		DIN	ANSI		DIN	ANSI	DIN	ANSI	DIN	ANSI	DIN	ANSI	DIN	ANSI	DIN	ANSI		DIN	ANSI	
01	15	80	15	110	225,6	231,5	151,6	130	140	G 1/8	95	65	66,5	4 x 14	4 x 16	2	1,6	45	35	16	14,2	95	75	80		
					256,9	170,9		105	120		75	82,5	4 x 14	4 x 19	2	1,6	58	43	18	15,8	117	86				
02	20	100	20	132,5	275,9	280,9	180,9	160	170	G 1/8	115	85	89	4 x 14	4 x 19	2	1,6	68	51	18	17,5	117	95	100		
					346,2	351,2		140	135		100	98,5	4 x 18	4 x 19	2	1,6	78	64	18	19,1	172,5	109	114			
03	32	150	32	191	396,2	259,2	200	200	200	G 1/4	150	155	110	114,5	4 x 18	4 x 22	2	1,6	88	73	18	20,6	172,5	137		
					474	328,5		165	125		127	4 x 18	8 x 19	2	1,6	102	92	20	22,4	230	145,5					
04	50	200	50	247	474	328,5	230	230	230	G 1/4	165	125	127	4 x 18	8 x 19	2	1,6	102	92	20	22,4	230	145,5			
					474	328,5		165	125		127	4 x 18	8 x 19	2	1,6	102	92	20	22,4	230	145,5					