

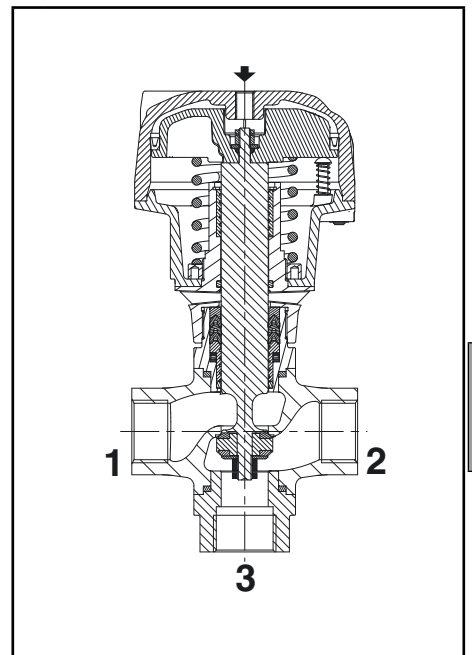
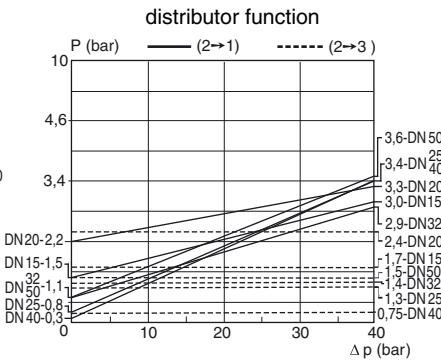
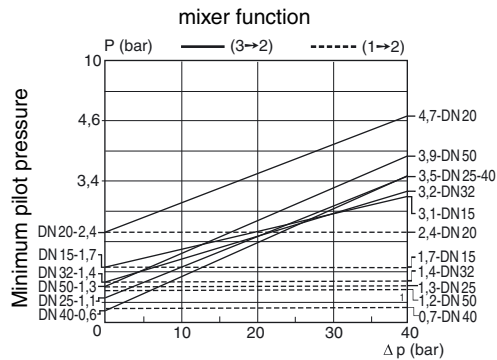
FEATURES

- Ruggedly built valve, particularly recommended for use with steam, superheated water, corrosive fluids
- High-performance, maintenance-free stuffing box, resistant to thermal shock
- Mixer function (two pressure inlets at 1 or 3, one outlet at 2) or distributor function (one pressure inlet at 2, two outlets at 1 and 3)
- Vacuum operation up to 10^{-2} mbar
- Allowable backpressure: up to 40 bar
- Optical position indicator as standard
- Autoclavable valve for use at high ambient temperatures (up to 180°C)
- The valves satisfy Pressure Equipment Directive 97/23/EC, category 1 (DN > 32) or article 3.3 (DN ≤ 32)

GENERAL

| | |
|----------------------------|---|
| Differential pressure | 0 to 40 bar [1 bar = 100 kPa] |
| Maximum allowable pressure | 40 bar (within the specified limits, see diagram I) |
| Ambient temperature range | -25°C to +180°C |
| Maximum viscosity | 5000 cSt (mm ² /s) |
| Pilot fluid | Air |
| Max. pilot pressure | 10 bar |
| Min. pilot pressure | See below |

| fluids (*) | temperature range | disc seal (*) |
|---|-------------------|---------------|
| DN 15-20-25: air and gas groups 1 & 2 DN 32-40-50: air and gas group 2 all DN: water, oil, liquids groups 1 & 2 and steam | -10°C to +250°C | bronze PTFE |



MATERIALS IN CONTACT WITH FLUID

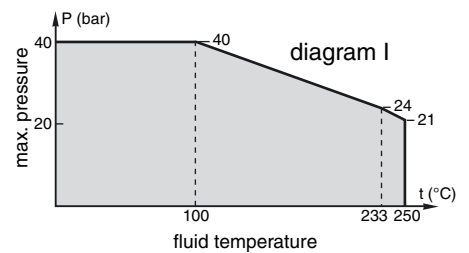
(*) Ensure that the compatibility of the fluids in contact with the materials is verified

| | |
|------------------------|--------------------------|
| Valve body and plug | Stainless steel |
| Stuffing box housing | Stainless steel |
| Stem, disc | Stainless steel |
| Stuffing box packing | PTFE chevrons |
| Disc seal | Bronze PTFE |
| Valve body seal | Graphite |
| OTHER MATERIALS | |
| Operator | Aluminium, nickel plated |

SPECIFICATIONS

| piping (ISO 6708) | DN | flow coefficient Kv | | | | | | | | pilot pressure (bar) | | operating pressure differential (bar) | operator diameter (mm) | catalogue number |
|----------------------|----|------------------------|---------|---------------------|---------|---------------------|---------|---------------------|---------|----------------------------|------|--|------------------------------|---------------------|
| | | mixer | | | | distributor | | | | min. | max. | | | |
| pipe size | | 3 → 2 | | 1 → 2 | | 2 → 3 | | 2 → 1 | | | | | | |
| (G*) | | (m ³ /h) | (l/min) | (m ³ /h) | (l/min) | (m ³ /h) | (l/min) | (m ³ /h) | (l/min) | | | | | |
| U - Universal | | | | | | | | | | | | | | |
| 1/2 | 15 | 3,3 | 54 | 4,4 | 73 | 3,5 | 59 | 4,6 | 78 | * | 10 | 40 | 80 | E398A001 |
| 3/4 | 20 | 8,0 | 133 | 7,4 | 123 | 8,1 | 136 | 7,7 | 129 | * | 10 | 40 | 100 | E398A002 |
| 1 | 25 | 11,4 | 190 | 11,6 | 194 | 12,1 | 203 | 11,9 | 199 | * | 10 | 40 | 100 | E398A003 |
| 1 1/4 | 32 | 18,9 | 316 | 16,6 | 278 | 17,9 | 299 | 16,6 | 278 | * | 10 | 40 | 150 | E398A004 |
| 1 1/2 | 40 | 27 | 450 | 27 | 450 | 27 | 450 | 27 | 450 | * | 10 | 40 | 150 | E398A005 |
| 2 | 50 | 51 | 850 | 51 | 850 | 51 | 850 | 51 | 850 | * | 10 | 40 | 200 | E398A006 |

* Minimum pilot pressure varies with differential pressure. See piloting chart above.



OPTIONS AND ACCESSORIES

- Metal-to-metal sealing disc
- Signaling box, with mechanical or inductive contacts
- Low ambient temperatures - Temperature range: -50°C to +70°C
- ATEX 94/9/EC versions for potentially explosive atmospheres, categories 2 GD and 3 GD
- 2 switches, Ex d protection, mounted on valve with 2 Crouzet contacts type 83101-I-W1, for use in ambient temperatures from -20°C to +80°C: suffix **SD2** [Contact us for option with 1 Honeywell contact type 1HS1 (-55°C to +82°C) or 1 Crouzet contact (-20°C to +80°C).]
- Valve seat leakage class VI as defined by FCI 70-2, contact us
- Other pipe connections are available on request

INSTALLATION

- The valves can be mounted in any position without affecting operation
- Compatible with ASTM 1, 2 and 3 oils
- Pipe connections (G*) have standard thread according to ISO 228/1 and ISO 7/1
- Installation/maintenance instructions are included with each valve

SPARE PARTS KITS

| catalogue number | spare parts kit no. | | |
|------------------|---------------------|-----------------|-------------------|
| | piston seal | actuator spring | stem, disc, seals |
| E398A001 | C140233 | C140299 | C140323 |
| E398A002 | C140234 | C140301 | C140324 |
| E398A003 | C140234 | C140303 | C140325 |
| E398A004 | C140235 | C140305 | C140326 |
| E398A005 | C140235 | C140307 | C140327 |
| E398A006 | C140298 | C140309 | C140328 |

ORDERING EXAMPLES:

| | |
|------------------|-------------|
| | E 398 A 003 |
| | E 398 A 008 |
| ext. pipe thread | _____ |
| basic number | _____ |

ORDERING EXAMPLES KITS:

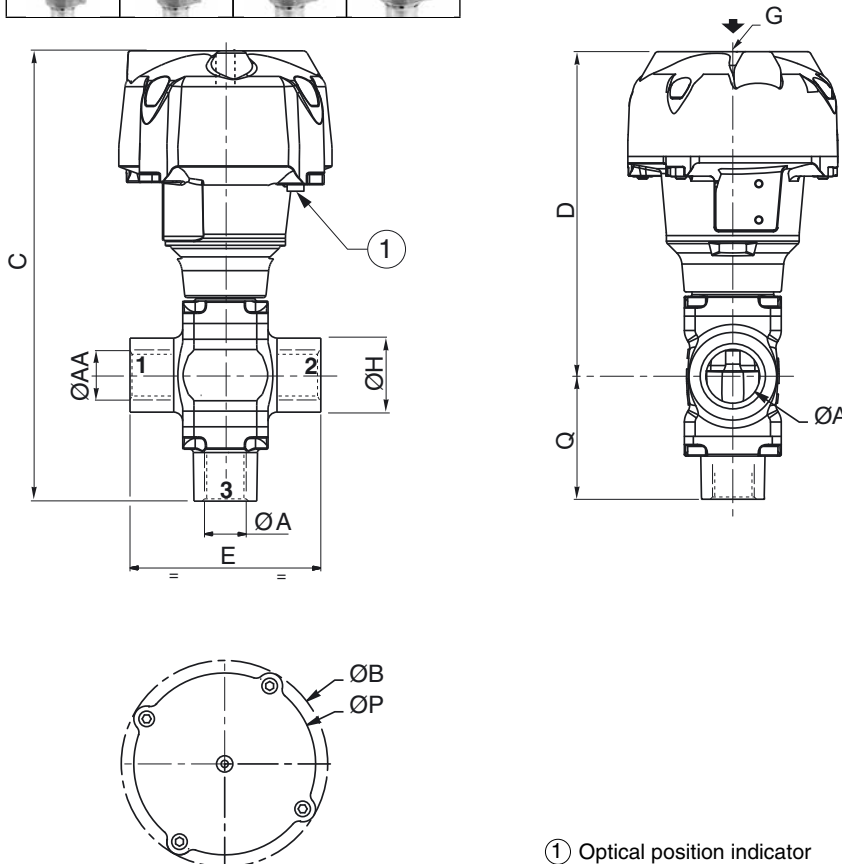
| | |
|--------------|---------|
| | C140233 |
| | C140298 |
| | C140303 |
| basic number | _____ |

DIMENSIONS (mm), WEIGHT (kg)



TYPE 01-02-03-04

Prefix "E"



| type | DN | operator diameter | ØA | ØAA | ØB | C | D | E | G | ØH | ØP | Q | weight |
|------|----|-------------------|----|-------|-------|-------|-------|-----|-----|----|-------|-------|--------|
| 01 | 15 | 80 | 15 | 1/2" | 110 | 203,1 | 151,6 | 85 | 1/8 | 33 | 95 | 51,5 | 1,88 |
| 02 | 20 | 100 | 20 | 3/4" | 132,5 | 229,2 | 170,9 | 110 | 1/8 | 40 | 117 | 58,3 | 3,52 |
| | 25 | 100 | 25 | 1" | 132,5 | 244,9 | 180,9 | 120 | 1/8 | 46 | 117 | 64 | 4,24 |
| 03 | 32 | 150 | 32 | 1"1/4 | 191 | 318,2 | 237,2 | 145 | 1/4 | 57 | 172,5 | 81 | 9,38 |
| | 40 | 150 | 40 | 1"1/2 | 191 | 361,7 | 259,2 | 150 | 1/4 | 65 | 172,5 | 102,5 | 11,9 |
| 04 | 50 | 200 | 50 | 2" | 247 | 436 | 328,5 | 190 | 1/4 | 75 | 230 | 107,5 | 23,66 |